

Series 1000

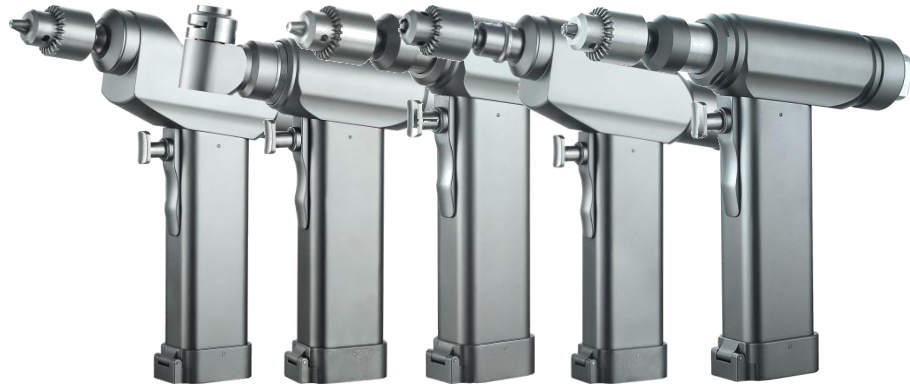
Series 1000C

Series 2000

Series 5000

Series 8000

Series 8000



Medical Electric Power Tools
Model: BLJZ-1
Series 1000C
Premium & Best Sale

-Newest Ergonomic design, offering **comfortable experience**.

-**Environment friendly** nickel-metal hydride battery.

-**Autoclavable up to 135°C at 1.6 MPa**

-High precise gear box, more **stable performance**

-**Imported motor**, low noise, longer service life

-**Imported chuck**

-New designed machine body to **distinguish your brand**

www.bolymedical.com

Boly
Medical

Series 1000

Series 1000C

Series 2000

Series 5000

Series 8000

Series 8000

Introduction of products

1.1 Product formation

Medical electric saw drill is consisting of handpiece, battery and charger. The charger is not belonging to medical device.

Warranty: 12 months for Handpiece; 3 months for battery.

1.2 Intended usage and characters

Electric saw drill is our newly developed product which is used for orthopedic medical institutions to drill or saw bone surgical operation. Characteristics of product are stepless speed regulation and at the level of waterproofing is IPX8.



Medical Electric Power Tools
Model: BLJZ-1
Series 1000C
Premium & Best Sale



Handpiece of a Drill



Handpiece of a Saw



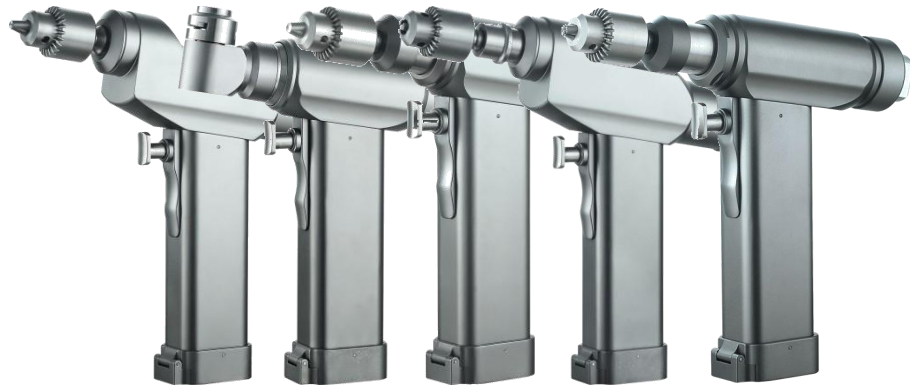
Battery



Charger

www.bolymedical.com

Boly
Medical



Medical Electric Power Tools
Model: BLJZ-1
Series 1000C
Premium & Best Sale

Introduction of products

2 Technical parameters

2.1 Product list and basic parameter (please refer to next page)

2.2 Charge

Input: AC 100~240V, 50/60Hz, 30VA

Output: DC14.4V, 700mA;

2.3 Battery

2.3.1 Voltage: DC14.4V, Ni-Mh1800mAh

2.3.2 Fully charged time: about 3 hours;

2.3.3 Service time for full-load condition: ≥ 2 minutes;

2.4 Environmental conditions

Normal operation conditions

a) Ambient temperature range: $5^{\circ}\text{C} \sim 40^{\circ}\text{C}$;

b) Relative humidity range: $\leq 70\%$;

c) Atmospheric pressure range: 860hPa~1060hPa;

Transportation and storage condition

a) Ambient temperature range: $-10^{\circ}\text{C} \sim 40^{\circ}\text{C}$;

b) Relative humidity range: $\leq 90\%$;

c) Atmospheric pressure range: 500hPa~1060hPa;

Series 1000

Series 1000C

Series 2000

Series 5000

Series 8000

Series 8000

Introduction of products

3 Structure chart of product



Medical Electric Power Tools
Model: BLJZ-1
Series 1000C
Premium & Best Sale

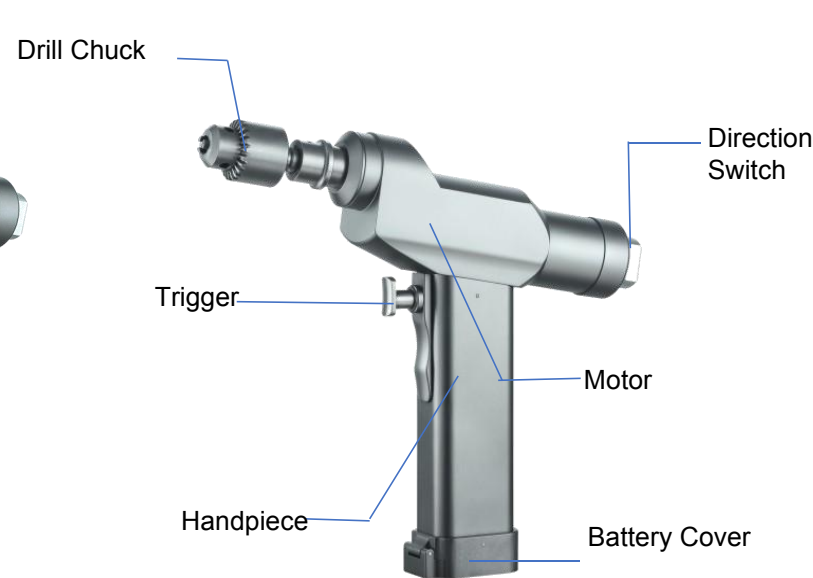
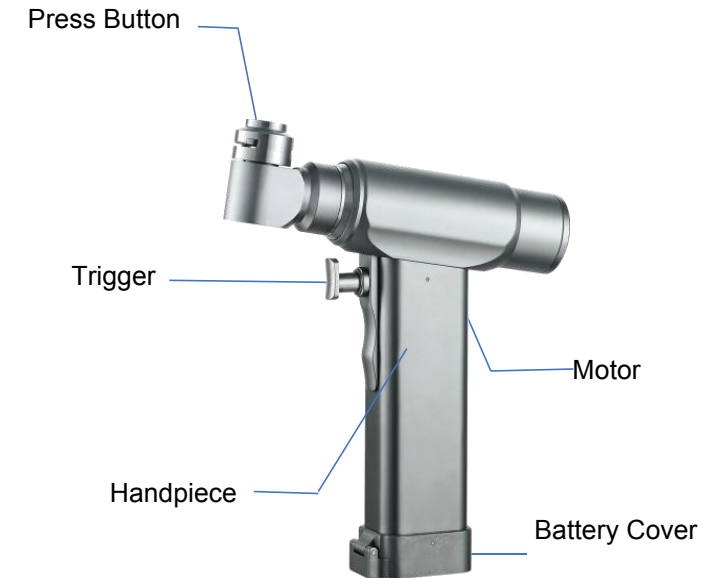


Photo of a Drill



Photp of a Saw

Series 1000

Series 1000C

Series 2000

Series 5000

Series 8000

Series 8000

Part No.

BL1101C

BL1102C

BL1201C

BL1103AC

BL1204C

Picture



Description

Cannulating Drill
For Trauma Surgery

Oscillating Saw
For Joint Surgery

Dual-function Cannulating
Drill
With quick-Change chuck
For Trauma Surgery

Bone Drill
For Trauma surgery

Dual-function Acetabulum
Reaming Drill
With quick-Change chuck
For Joint Surgery

Parameter

No-load Speed(r.p.m) :700
Torque(Nm):≥5.0
Operation(V) voltage:14.4
Sterilization: 135°C
Noise(db):≤75
Radial run-out:≤0.1mm

Oscillations(osc/min):≥12000
Swings(°):≥5
Operation(V) voltage:14.4
Sterilization:135°C
Noise(db):≤90

No-load Speed(r.p.m) :700
Torque(Nm):≥5.0
Operation(V) voltage:14.4
Sterilization: 135°C
Noise(db):≤75
Radial run-out:≤0.2mm

No-load Speed(r.p.m) :1100
Torque(Nm):≥4.0
Operation(V) voltage:14.4
Sterilization: 135°C
Noise(db):≤75
Radial run-out:≤0.1mm

No-load Speed(r.p.m) :450
Torque(Nm):≥10.0
Operation(V) voltage:14.4
Sterilization: 135°C
Noise(db):≤75
Radial run-out:≤0.2mm

* Boly offers cannulated drill BL1101AC/BL1201AC with a speed of 1100rpm for customization, welcome to consult Boly for more details.

www.bolymedical.com



Series 1000

Series 1000C

Series 4000

Series 5000

Series 8000

Series 2000

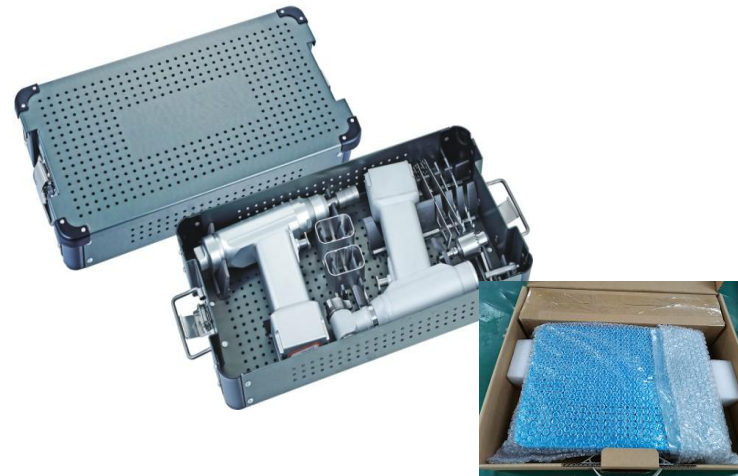


BL1102C
Oscillating Saw



BL1204C
Dual-Function
Acetabulum Reaming Drill

**BEST COMBINATION
FOR
JOINTS/HIP SURGERIES**



Aluminum Carrying Case

Configurations:

- Handpiece of BL1204C x1
- Handpiece of BL1102C x1
- Battery x2
- Charger x1
- Aseptic transfer kit x2
- Drill Chuck x1
- Key to chuck x1
- Saw blades x3

Package:

Neutral Outer Carton, 1-case Contained
(425*140*370mm)

Sterilization Case

Configurations:

- Handpiece of BL1204C x1
- Handpiece of BL1102C x1
- Battery x2
- Charger x1
- Aseptic transfer kit x2
- Drill Chuck x1
- Key to chuck x1
- Saw blades x3

Package:

Neutral Outer Carton, 1-case Contained
(455x395x90mm)

www.bolymedical.com

Boly
Medical

Series 1000

Series 1000C
Accessories

Series 2000

Series 5000

Series 8000

Series 8000

Part No.

BL0001

BL0002

BL0003

BL0004A

BL0006A

Picture



Description

Nickel-metal hydride
battery

Charger

Aseptic Transfer Kit

Key

Saw Blades

Quantity

2 pcs

1 pcs

1 pcs

1 pcs

3 pcs

www.bolymedical.com

